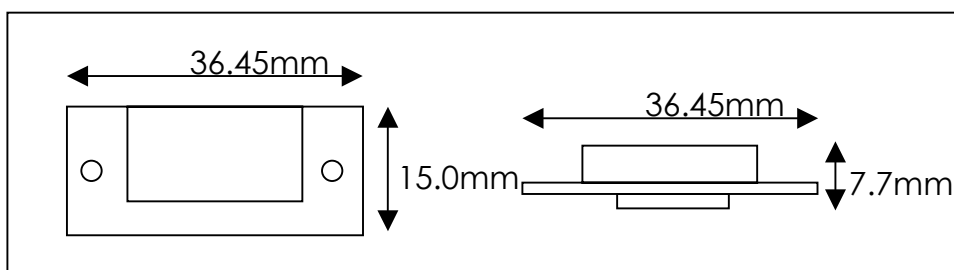


# VS2111 Type I

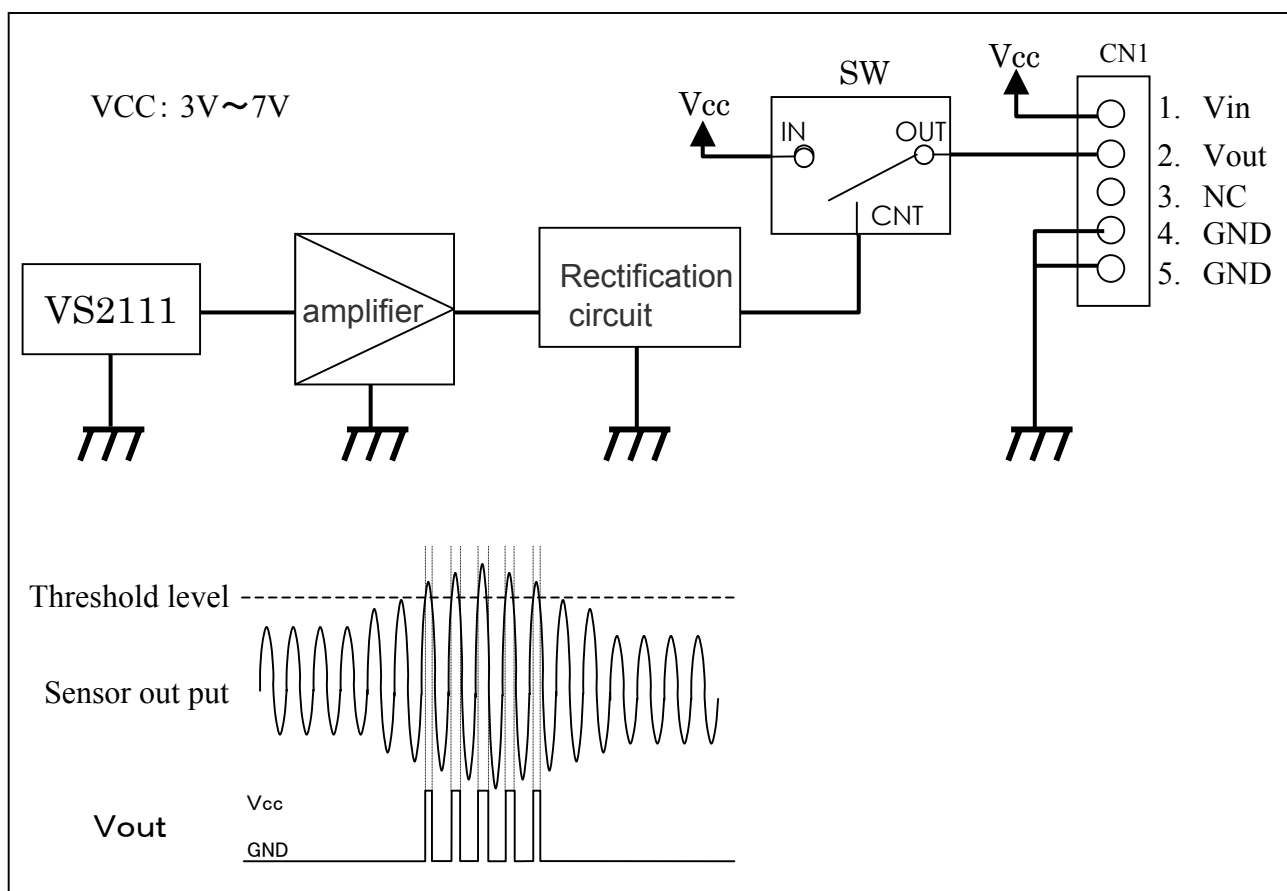
## Vibration sensor



### Dimensions

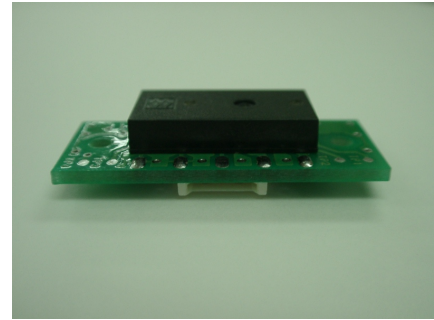


### Block diagram

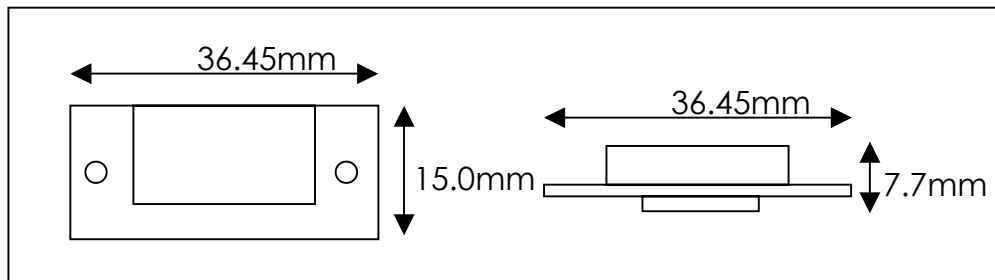


# VS2111 Type II

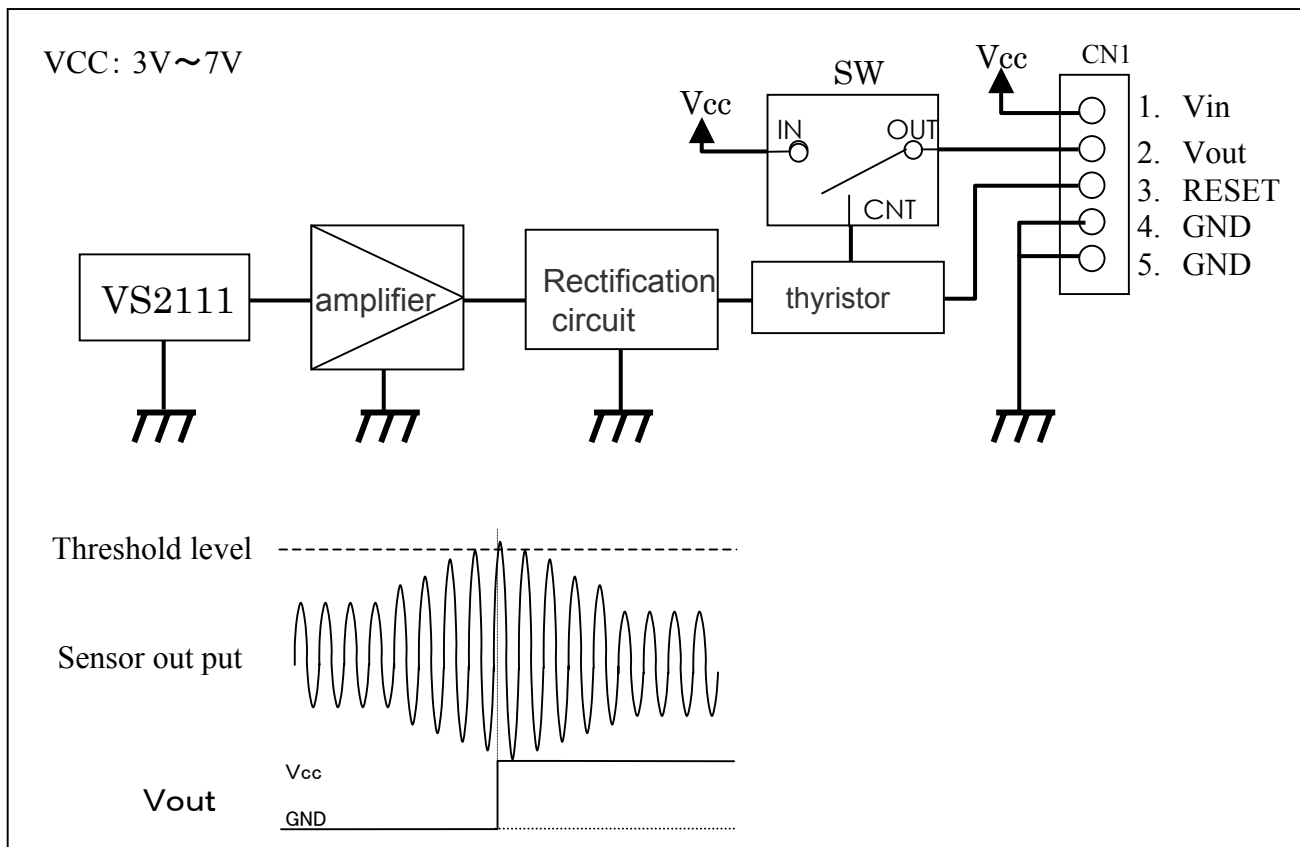
## vibration sensor



### Dimensions



### Block diagram



## NIHON CERATEC CO.,LTD.

7-12-18, Daiichi Ginza Bldg.3F, Ginza, Chuo-ku, Tokyo, 104-0061 Japan TEL. +81-3-5565-6262 FAX. +81-3-5565-6270  
2700 Augustine, Suite 101, Santa Clara, CA 95054, USA TEL. +1-408-567-0347 FAX. +1-408-567-0357  
<http://www.ceratech.co.jp/> E-mail : [piezo-electric@ceratech.co.jp](mailto:piezo-electric@ceratech.co.jp)